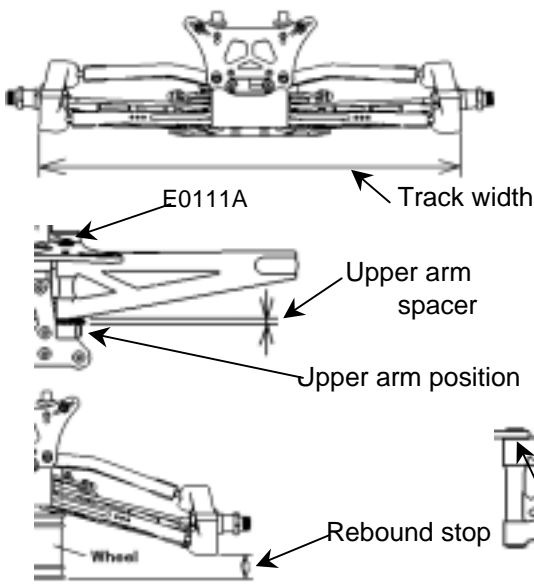


**Name:** \_\_\_\_\_  
**Date:** \_\_\_\_\_  
**Track:** \_\_\_\_\_

**Track Conditions**

Size:	<input type="checkbox"/> Open	<input type="checkbox"/> Med.	<input type="checkbox"/> Tight
Traction:	<input type="checkbox"/> High	<input type="checkbox"/> Med.	<input type="checkbox"/> Low
Surface:	<input type="checkbox"/> Smooth	<input type="checkbox"/> Med.	<input type="checkbox"/> Bumpy

**Front Suspension**

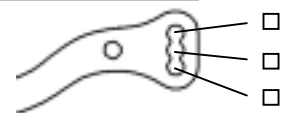


Track width \_\_\_\_\_ mm  
 Camber angle \_\_\_\_\_ °  
 Upper arm spacer \_\_\_\_\_ mm  
 Toe angle \_\_\_\_\_ °  
 Rebound stop \_\_\_\_\_ mm  
 Anti-roll bar  Use \_\_\_\_\_ mm  
                            None  
 Lower arm mount (Kick up) \_\_\_\_\_ °  
 Upper arm position (E0111A)    
 E0106A - E0106B (High)  
 E0106C - E0106D (Low)  
 Lower arm spacer \_\_\_\_\_ mm

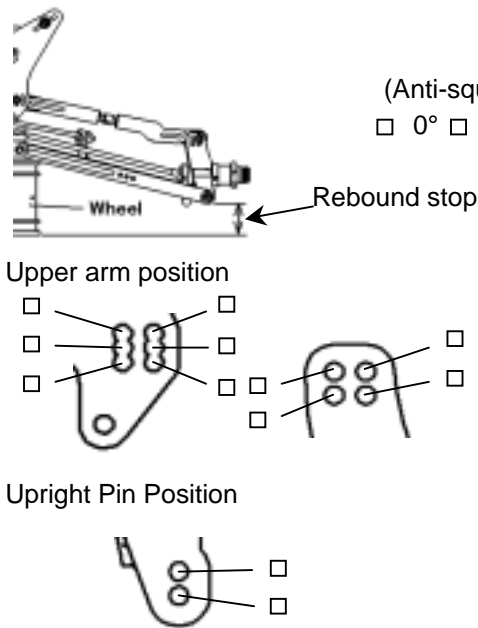
**Front Shocks**

Piston \_\_\_\_\_  
 Oil # \_\_\_\_\_  
 Spring \_\_\_\_\_  
 Spacer \_\_\_\_\_ mm  
 Shock position

**Steering Ackerman**



**Rear Suspension**

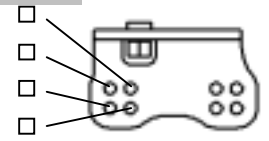


Camber angle \_\_\_\_\_ °  
 Lower arm mount (Anti-squat)  0°  -1° (Toe angle) \_\_\_\_\_ °  
 Rebound stop \_\_\_\_\_ mm  
 Anti-roll bar \_\_\_\_\_ mm  
 Anti-squat (E0111C,E0111D)     
 Upright  E0110  
 E0126(Aluminium)  
 Wheelbase adjustment \_\_\_\_\_ mm  
 Front

**Rear Shocks**

Piston \_\_\_\_\_  
 Oil # \_\_\_\_\_  
 Spring \_\_\_\_\_  
 Spacer \_\_\_\_\_ mm  
 Shock position

**Wing Position**



**Engine** Type \_\_\_\_\_ Plug \_\_\_\_\_  
 Gasket \_\_\_\_\_ mm Rrducer  $\phi$  \_\_\_\_\_  
 Muffler \_\_\_\_\_ Manifold \_\_\_\_\_  
 Fuel \_\_\_\_\_

**Diff. Oil**  
 Front # \_\_\_\_\_ O-Ring \_\_\_ pcs.  Other \_\_\_\_\_  
 Center # \_\_\_\_\_ \_\_\_ pcs.  Other \_\_\_\_\_  
 Rear # \_\_\_\_\_ \_\_\_ pcs.  Other \_\_\_\_\_

**Tire**

<b>&lt;Front&gt;</b>	<b>&lt;Rear&gt;</b>
Type _____	Type _____
Foam _____	Foam _____

**Clutch**

Clutch shoes  Aluminium  
 Other \_\_\_\_\_  
 Spring \_\_\_\_\_ mm  
 Clutch bell / Spur gear **T / T**

**Result**  
 Race time / Lap \_\_\_\_\_  
 Best lap (1Lap) \_\_\_\_\_

**Comments:**  
 \_\_\_\_\_  
 \_\_\_\_\_  
 \_\_\_\_\_  
 \_\_\_\_\_